



2019 Electric Service Standards

Temporary Service

| | |
|--|---|
| <i>Underground Service – Temporary Service Process</i> | 2 |
| <i>Underground Service – Temporary Service Diagram</i> | 3 |
| <i>Overhead Service – Temporary Service Process</i> | 4 |
| <i>Overhead Service – Temporary Service Diagram</i> | 5 |

Underground Service – Temporary Service Process

For Temporary Underground Service, construct your Temporary Electric Loop and request Temporary Electric Service following the steps below:

STEP 1) Apply for your Temporary Meter Loop permit with your local jurisdiction, such as the City of San Antonio. For more information about City of San Antonio permitting and inspections, go to [City of San Antonio - Permit, Inspection and Review](#). If you are outside San Antonio, contact your local municipality.

STEP 2) **Construct your temporary electric loop in compliance with the diagram below**, ensure the structure has clear access, and mark it with the physical address. If you need assistance locating where to put your temporary loop, call CPS Energy 210-353-4050.

STEP 3) Due to quick turnaround, request Temporary Service on the [Construction & Renovation Web Portal](#) once your Meter Loop is complete:

- Select the plus symbol at the top of the screen, then “Single Family Home.”
- Search for your Temporary Address in our system, designated with a #T.
- If you don't see a Temporary Address (#T), request that CPS Energy create one.
- Select the “I want to do something else” icon.
- Select “Add Temporary Service.”
- Select your Billing Account or Request a New Account.
- Enter your Project Details and Submit.
- Once submitted, you will see your Project Number for reference.

You will receive Temporary Service instructions and an invoice by email the next business day.

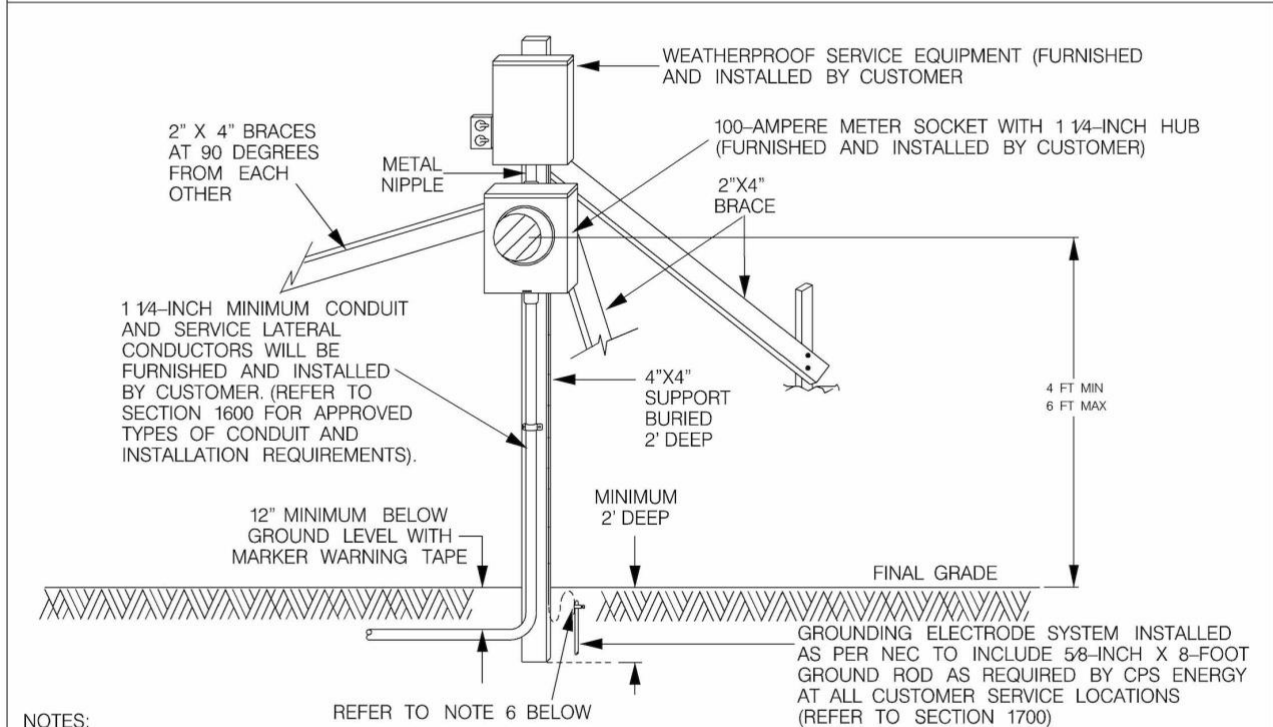
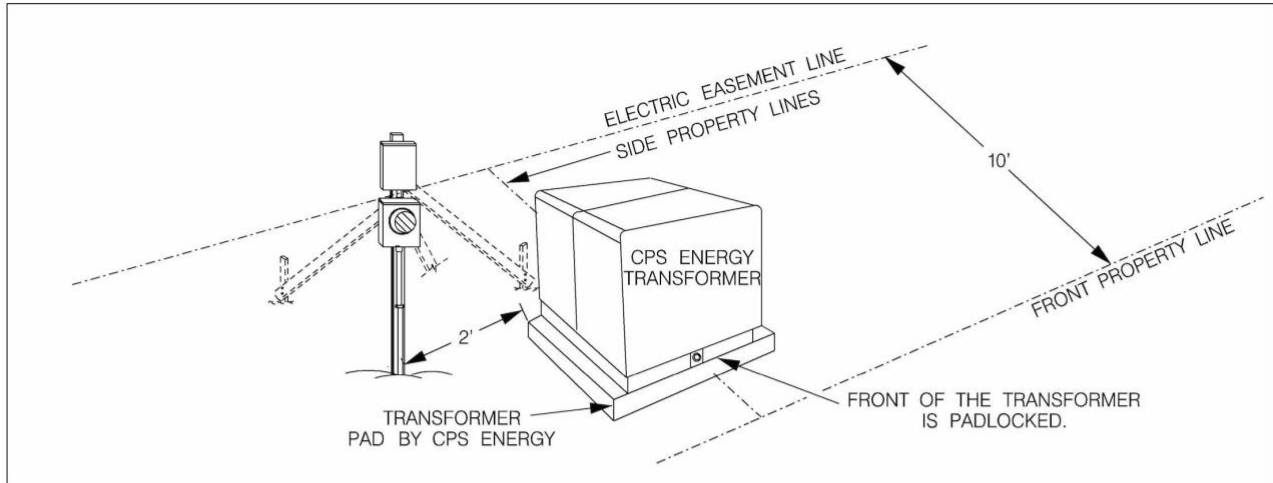
You can also download and email your application:

[Residential Service Application](#)

[Solicitud de Servicio Residencial](#)

Underground Service – Temporary Service Diagram

FIGURE 1600.1
TEMPORARY METER INSTALLATION, URD SERVICE AREA



NOTES:

1. STANDARD INSTALLATION FOR URD TRANSFORMER AND PLACEMENT OF TML IS ON FRONT OF LOT BUT MAY BE ON REAR OF LOT
2. PADMOUNT TRANSFORMERS WILL NORMALLY BE LOCATED STRADDLING SIDE PROPERTY LINES. HOWEVER, CPS ENERGY MAY POSITION TRANSFORMER AT OTHER LOCATIONS AS DEEMED NECESSARY.
3. CUSTOMER SHALL CONSTRUCT THE TEMPORARY SERVICE INSTALLATION AS SHOWN ABOVE AND MAINTAIN IT IN A SAFE CONDITION THROUGHOUT ITS PERIOD OF USE. CPS ENERGY RESERVES THE RIGHT TO DISCONNECT DAMAGED OR UNSAFE TML'S.
4. THE TEMPORARY SERVICE INSTALLATION MUST BE IDENTIFIED WITH A PROPER SERVICE ADDRESS BEFORE CPS ENERGY WILL ENERGIZE IT AND INSTALL A METER.
5. ALL TEMPORARY METERING INSTALLATIONS WILL REQUIRE THAT THE CUSTOMER OBTAIN UTILITY LOCATES FROM TEXAS-ONE-CALL TO PREVENT DAMAGE TO PRIMARY OR SECONDARY CABLES AND/OR GAS LINES AND TO HELP AVOID POSSIBLE PERSONAL INJURY.
6. COPPER GROUNDING ELECTRODE CONDUCTOR (FURNISHED AND INSTALLED BY CUSTOMER, SIZE AND INSTALLATION IN ACCORDANCE WITH NEC) REFER TO SECTION 1700.
7. CPS ENERGY MAY SUPPLY TML'S FROM A SECONDARY ENCLOSURE INSTALLED AFTER TRANSFORMER WHERE DEEMED NECESSARY AND SUCH INSTALLATION SHALL NOT HAVE TML PLACED CLOSER THAN 3-FT FROM SECONDARY ENCLOSURE.

Overhead Service – Temporary Service Process

For Overhead Service, follow the steps below:

STEP 1) Apply for your Temporary Meter Loop permit with your city or municipality, such as the City of San Antonio. For more information about City of San Antonio permitting and inspections, go to [City of San Antonio - Permit, Inspection and Review](#). If you are outside San Antonio, contact your local municipality.

STEP 2) Request CPS Energy Temporary Service on the [Construction & Renovation Web Portal](#):

- Select the plus symbol at the top of the screen, then “Single Family Home.”
- Search for your Temporary Address in our system, designated with a #T.
- If you don't see a Temporary Address (#T), request that CPS Energy create one.
- Select the “I want to do something else” icon.
- Select “Add Temporary Service.”
- Select your Billing Account or Request a New Account.
- Enter your Project Details and Submit.
- Once submitted, you will see your Project Number for reference.

CPS Energy Customer Engineering will need to approve your Overhead Design. Attach your Meter Loop Drawing and ensure it complies with the diagram below. Attach your document by selecting the Project from Home, then Attachments. Once submitted, you will receive a Temporary Service invoice with instructions by email the next business day.

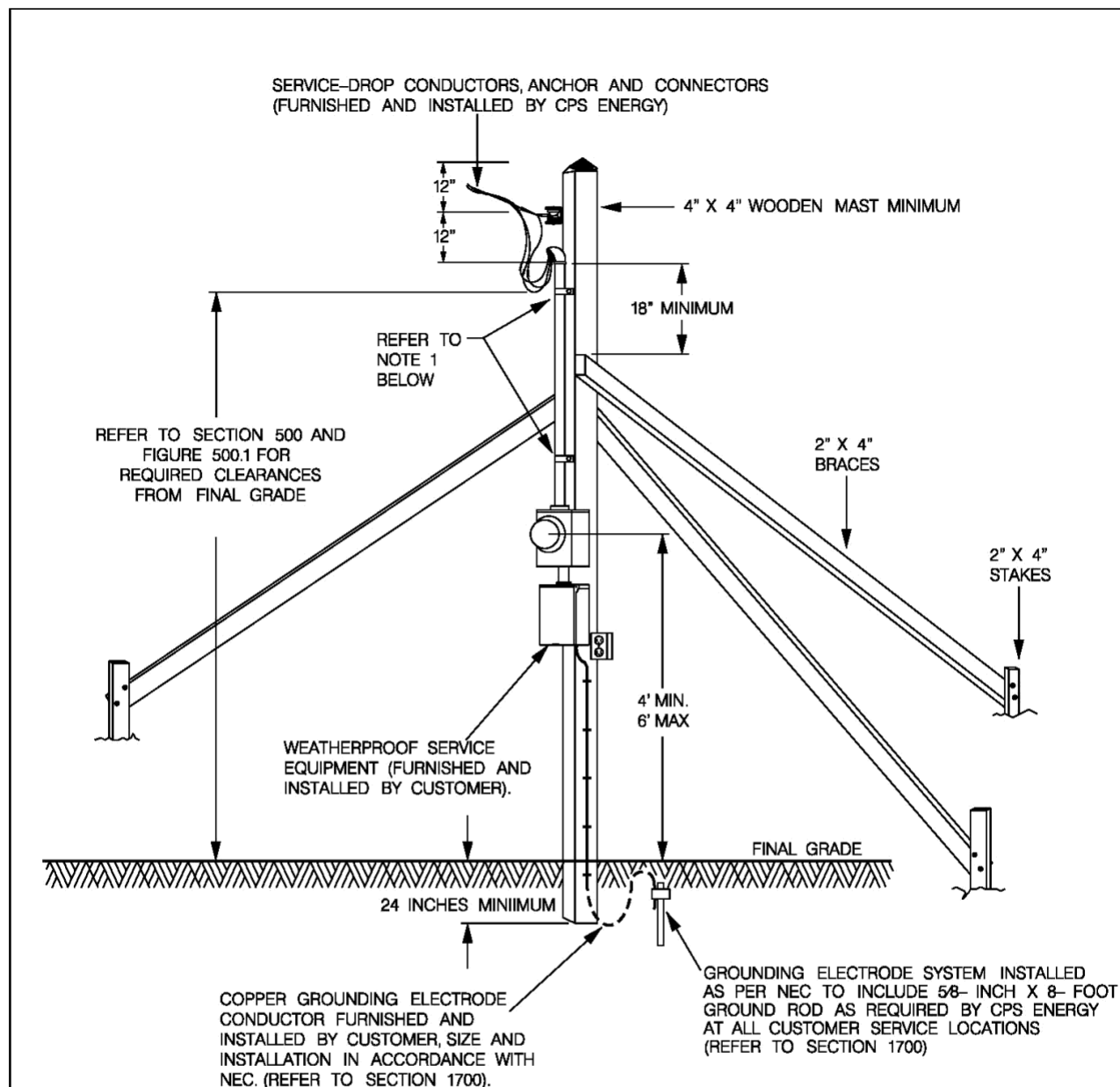
Or download and email your application:

[Residential Service Application](#)

[Solicitud de Servicio Residencial](#)

Overhead Service – Temporary Service Diagram

FIGURE 1600.2
TEMPORARY METER INSTALLATION, OVERHEAD SERVICE



NOTES:

1. SERVICE RACEWAY SHALL BE SUPPORTED WITH 2- HOLE STRAPS ATTACHED WITH SCREWS AND INSTALLED WITHIN 6 - 12 INCHES OF SERVICE HEAD AND OF METER ENCLOSURE.
2. 125- AMPERE METER SOCKET WITH 1 1/4- INCH HUB FURNISHED, INSTALLED AND WIRED BY CUSTOMER. REFER TO FIGURE 1800.1.
3. SERVICE RACEWAY SHALL BE FURNISHED AND INSTALLED BY CUSTOMER. RACEWAY SHALL BE EMT, RMC OR IMC. MINIMUM SIZE OF SERVICE RACEWAY IS 1 1/4 INCH.
4. CUSTOMER SHALL CONSTRUCT THE TEMPORARY SERVICE INSTALLATION AS SHOWN ABOVE AND MAINTAIN IT IN A SAFE CONDITION THROUGHOUT ITS PERIOD OF USE. CPS ENERGY RESERVES THE RIGHT TO DISCONNECT DAMAGED OR UNSAFE TML'S.
5. THE TEMPORARY SERVICE INSTALLATION MUST BE IDENTIFIED WITH A PROPER SERVICE ADDRESS BEFORE CPS ENERGY WILL CONNECT AND INSTALL A METER.
6. WHERE TEMPORARY THREE-PHASE SERVICES ARE REQUESTED, A CUSTOMER-OWNED METER POLE IN ACCORDANCE WITH SECTION 1400 SHALL BE INSTALLED FOR OVERHEAD SERVICES AND WHERE SUPPLIED FROM AN OVERHEAD TO UNDERGROUND OR UNDERGROUND SERVICE, THEN CUSTOMER SHALL BE REQUIRED TO CONSTRUCT A METERING EQUIPMENT RACK IN ACCORDANCE WITH FIGURE 1800.20.