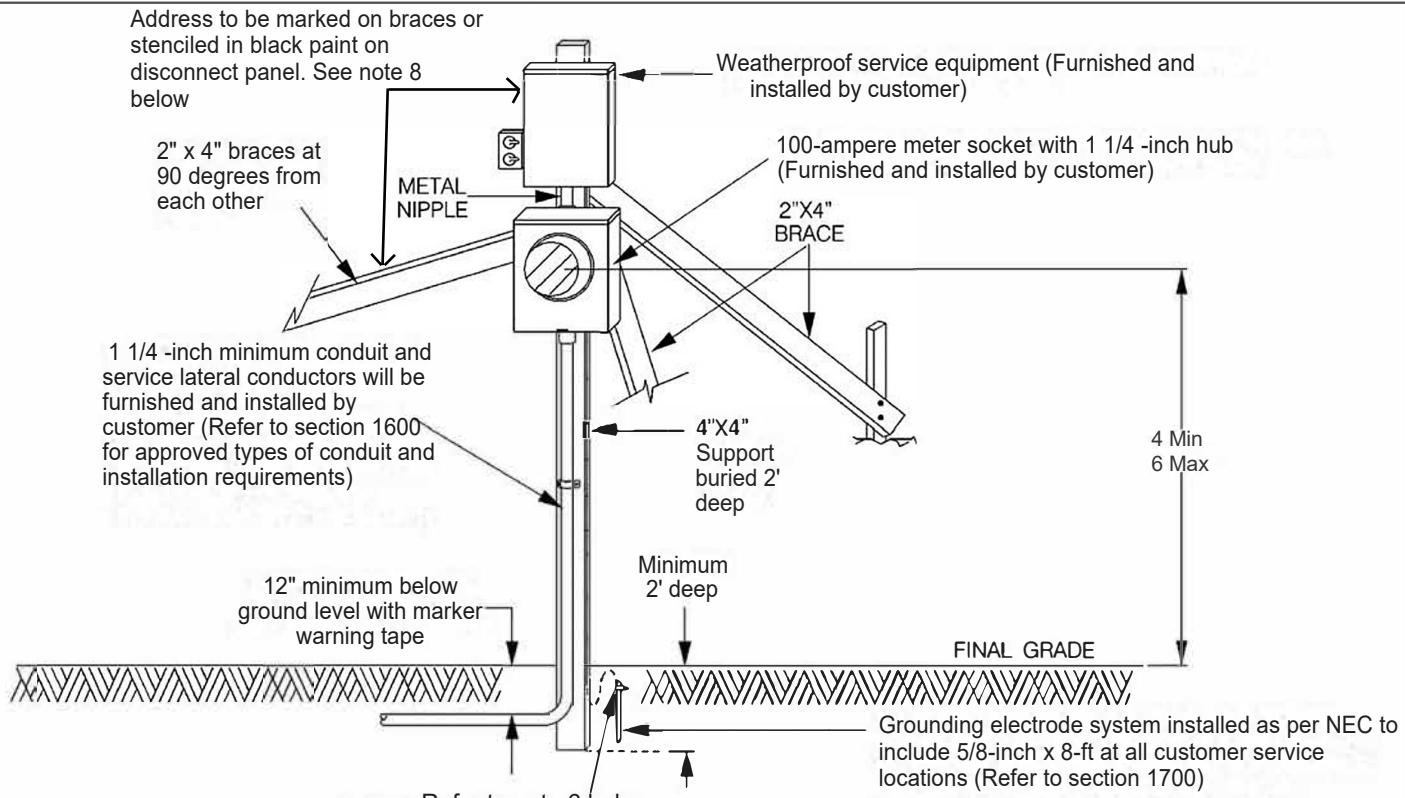
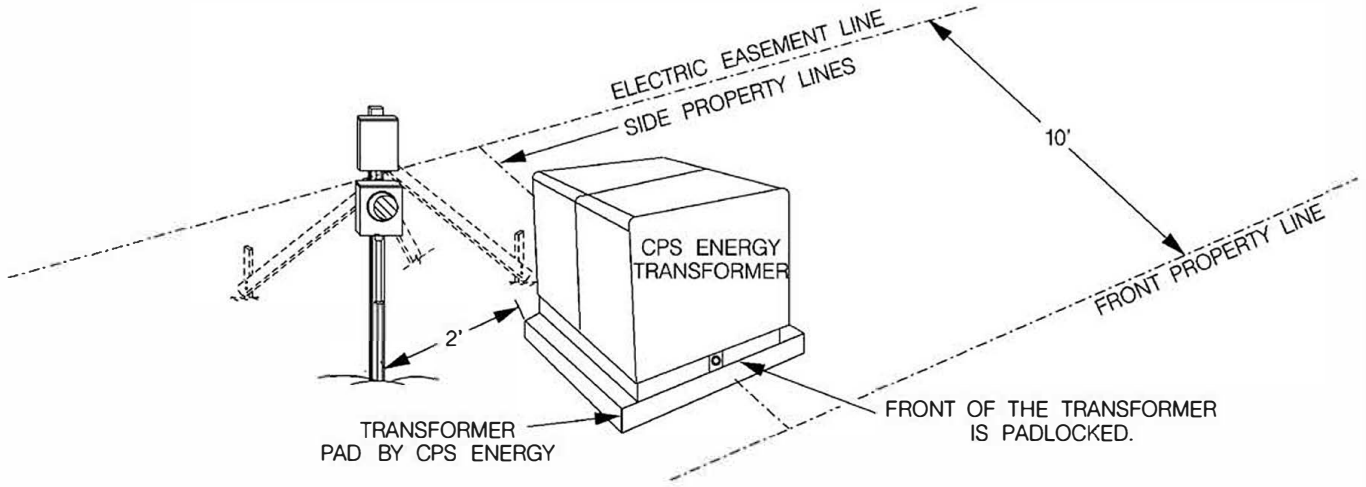


FIGURE 1600.1
 TEMPORARY METER INSTALLATION, URD SERVICE AREA



NOTES:

1. The temporary service installation must be identified with a proper service address before CPS Energy will energize it and install a meter.
2. All temporary metering installations will require that the customer obtain utility locates from Texas One Call to prevent damage to primary or secondary cables and/or gas lines and to help avoid possible personal injury.
3. Copper grounding electrode conductor (furnished and installed by customer size and installation in accordance with NEC) Refer to section 1700.
4. CPS Energy may supply TMLs from a secondary enclosure installed after transformer where deemed necessary and such installation shall not have TML placed closer than 3 ft from secondary enclosure.
5. Street number with #T should be stenciled in black paint on disconnect panel or full address with #T at the end should be marked on braces facing street.
6. Make sure tripod is secure and not blocking a power source.